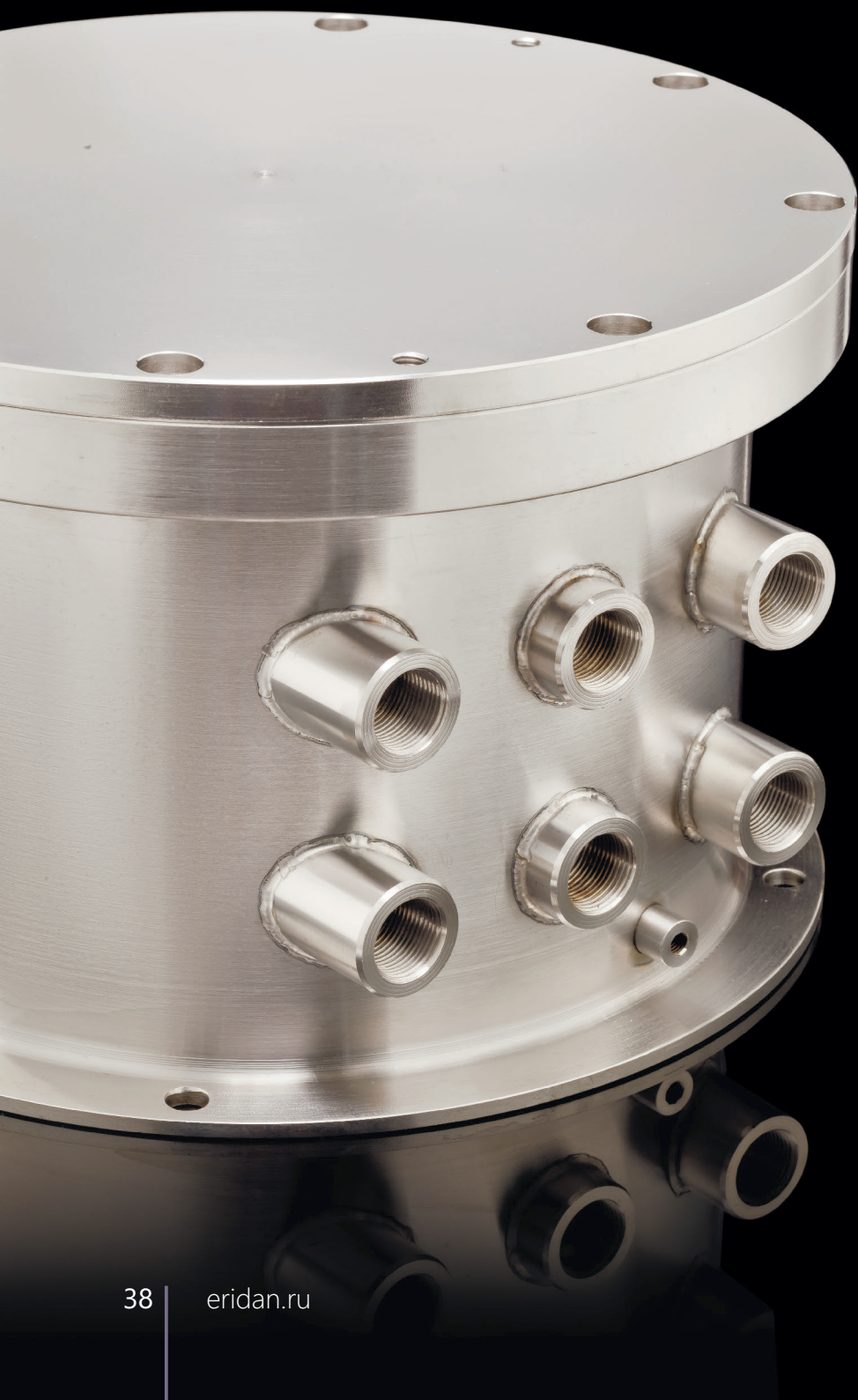




# SWITCH BOXES





Switch boxes are electric devices used for allocation of cables and their connections, tails, routing, etc. in- and outdoors when setting-up electrical networks.

They may be installed in open spaces and enclosed areas of different buildings and structures, as well as on river and sea-going vessels and production facilities, where explosive mixtures of air and combustible gases or vapors may be present.

The switch boxes may be used at chemical, oil and gas production, oil and gas processing and other plants with explosion hazardous areas.



# SWITCH BOXES



KKV-07e

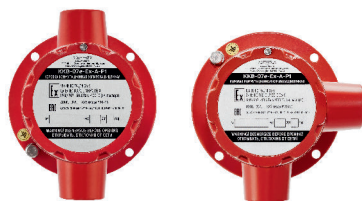
Switch boxes

The KKV-07e switch boxes are designed for connection and branching of general and special purpose electrical circuits (control and power cables of automatic and telemechanics systems, control, security and alarm circuits, etc.) in explosive areas. They are used at chemical, oil and gas production, oil and gas processing industry enterprises and in explosive areas of other production facilities.

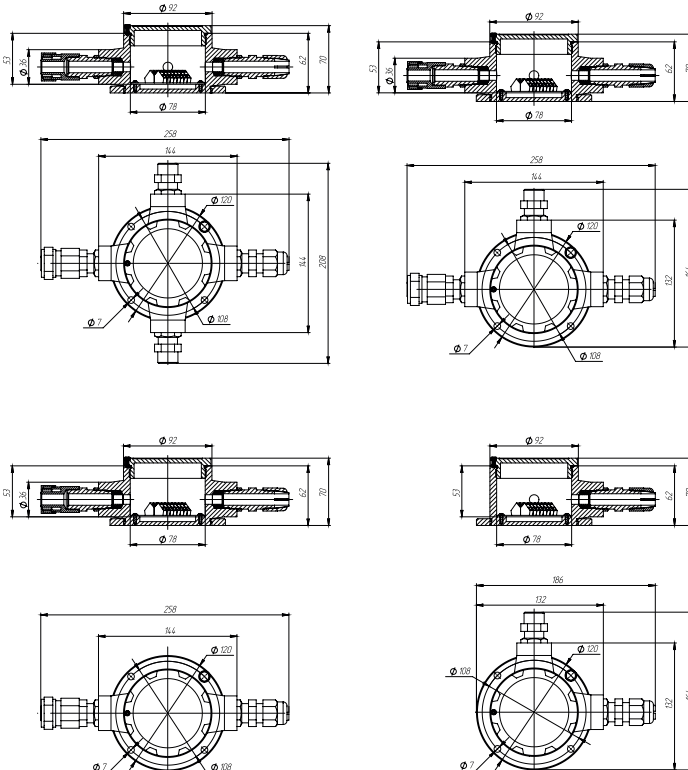


## MODIFICATIONS:

KKV-07e-Ex-A-R1-U/P/T/K  
Explosion-proof aluminum switch box,  
frame size R1  
P - pass-through  
U - angular  
T - three-way  
K - cross-shaped



KKV-07e-O-(A)-U/P/T/K  
General industrial version  
aluminum switch box,  
frame size R1 - 268 m<sup>3</sup>



1Ex db IIC  
T6...T4 Gb X

IP66/  
IP67



Aluminum

Steel

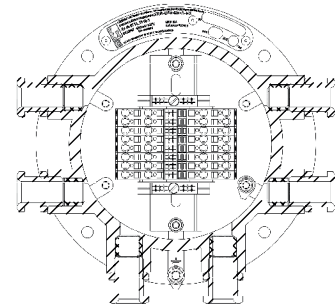
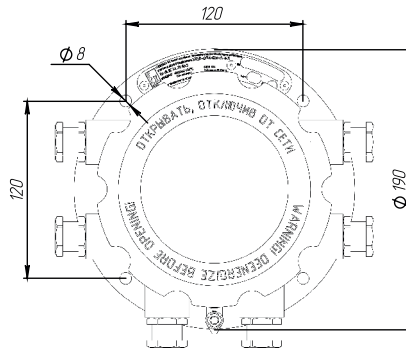
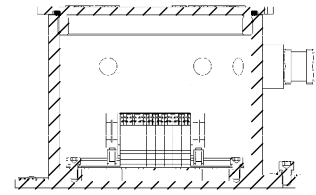
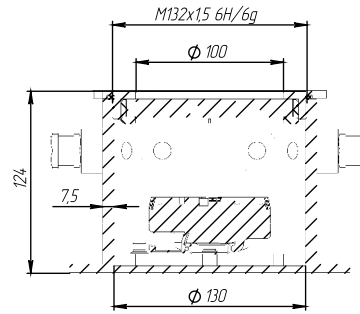
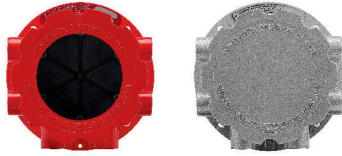
Stainless  
steel

2..12  
cable glands  
in the box  
body

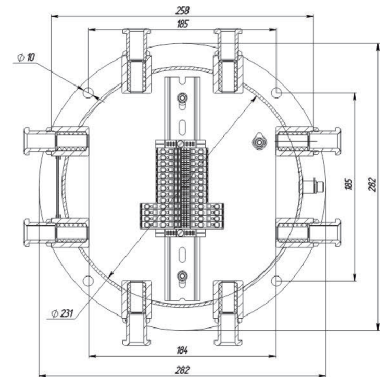
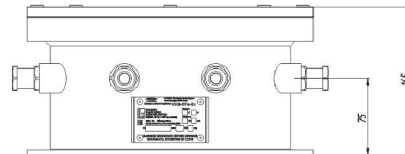
Sight  
glass

## MODIFICATIONS:

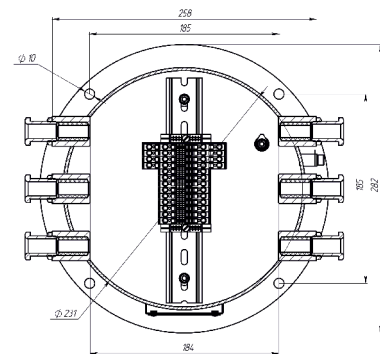
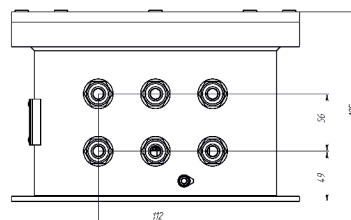
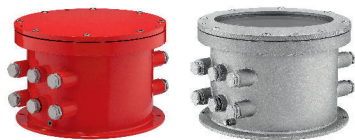
KKV-07e-Ex-A-R2  
Explosion-proof aluminum  
switch box, frame  
size R2 - 1475 m<sup>3</sup>



KKV-07e-Ex-S/N-R3  
Explosion-proof switch box  
in a steel/ stainless steel body  
with a window/ without window  
with heating option,  
frame size R3 - 5275 m<sup>3</sup>





KKV-07e-Ex-S/N(-SO)-R4  
Explosion-proof switch box  
in a steel/ stainless steel body  
with a window/ without window  
with heating option,  
frame size R4 - 6952 m<sup>3</sup>



# SWITCH BOXES

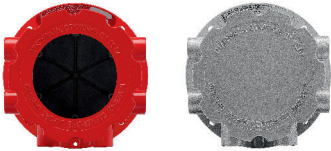

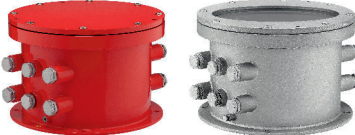
## TECHNICAL DATA:

Modification	KKV-07e-Ex-A-R1-U/P/T/K Explosion-proof aluminum switch box, frame size R1	KKKV-07e-O(-A)-U/P/T/K General industrial version aluminum switch box, frame size R1
		
Enclosure explosion proofness marking	Ex tb IIIC T80°C...T100°C Db X 1Ex db IIC T6...T4 Gb X	
Ingress protection rating	IP66/ IP67	IP66/ IP67
Operating temperature range, °C	-60...100	-60...100
Supply voltage, V	400	400
Max. switching current, A	32	32
Availability of sight glass in the cover		
Interior space heating system		
Possibility of connection to addressable loop	Yes (by means of connecting the address marks)	Yes (by means of connecting the address marks)
Max. overall dimensions, mm:	P - 150*120*70 U - 130*130*70 T - 150*130*70 K - 150*150*70	P - 150*120*70 U - 130*130*70 T - 150*130*70 K - 150*150*70
- body (without cable gland)		
- internal size	78*60	78*60
- effective internal volume, cm <sup>3</sup>	268	268
Number of terminals:		
- terminals, max.	5	5
- number of wires in a terminal	P/U - 2, T - 3, K - 5	P/U - 2, T - 3, K - 5
Enclosure material	Aluminum alloy AK 12 ПЧ	Aluminum alloy AK 12 ПЧ
Number of cable glands in the box body	2-4	2-4
Cable entry diameter, mm	6...12 (into equipment casing) up to 22 (along the external insulation)	6...12 (into equipment casing) up to 22 (along the external insulation)
Box installation mode	By means of mounting holes to the surface	By means of mounting holes to the surface
Available packages	Input devices	Input devices
Max. weight, kg	1,0	2,0
Lifetime, min., years	10	10
Warranty period, years	5	5

# SWITCH BOXES

**NEW**

## TECHNICAL DATA:

<p>KKV-07e-Ex-A-R2 Explosion-proof aluminum switch box, frame size R2</p>	<p>KKB-07e-Ex-S/N-R3 Explosion-proof switch box in a steel/ stainless steel body with a window/ without window with heating option, frame size R3</p>	<p>KKV-07e-Ex-S/N(-SO)-R4 Explosion-proof switch box in a steel/ stainless steel body with a window/ without window with heating option, frame size R4</p>
 <p style="text-align: right;"><b>NEW</b></p>	 <p style="text-align: right;"><b>NEW</b></p>	 <p style="text-align: right;"><b>NEW</b></p>
<p>Ex tb IIIC T80°C...T100°C Db X 1Ex db IIC T6...T4 Gb X</p>	<p>Ex tb IIIC T80°C...T100°C Db X PB Ex db I Mb X 1Ex db IIC T6...T4 Gb X 1Ex db e IIC T6...T4 Gb X</p>	<p>Ex tb IIIC T80°C...T100°C Db X PB Ex db I Mb X 1Ex db IIC T6...T4 Gb X 1Ex db e IIC T6...T4 Gb X</p>
<p>IP66/ IP67</p>	<p>IP66/ IP67</p>	<p>IP66/ IP67</p>
<p>-60...100</p>	<p>-60...100</p>	<p>-60...100</p>
<p>600</p>	<p>600</p>	<p>600</p>
<p>32</p>	<p>32</p>	<p>32</p>
<p>Yes (optional)</p>	<p>Yes (optional)</p>	<p>Yes (optional)</p>
<p>Yes (by means of setting the address marks)</p>	<p>Yes (optional) Heating system parameters: 24 VDC / 230 VAC 40 / 60 W</p> <p>Yes (by means of setting the address marks)</p>	<p>Yes (optional) Heating system parameters: 24 VDC / 230 VAC 40 / 60 W</p> <p>Yes (by means of setting the address marks)</p>
<p>190*190*125 130*105 (*88 with the window) 1475</p>	<p>285*285*140 230*130 (*110 with the window) 5275</p>	<p>285*285*190 230*170 (*150 with the window) 6952</p>
<p>8 4</p>	<p>12 4</p>	<p>18 4</p>
<p>Aluminum alloy AK 12 ПЧ</p>	<p>Powder-coated plated steel/ Stainless steel 12X18H10T</p>	<p>Powder-coated plated steel / Stainless steel 12X18H10T</p>
<p>6</p>	<p>8</p>	<p>12</p>
<p>6...12 (into equipment casing) up to 22 (along the external insulation)</p>	<p>6...12 (into equipment casing) up to 22 (along the external insulation)</p>	<p>6...12 (into equipment casing) up to 22 (along the external insulation)</p>
<p>By means of mounting holes to the surface</p>	<p>By means of mounting holes to the surface</p>	<p>By means of mounting holes to the surface</p>
<p>Input devices</p>	<p>Input devices, sight window in the cover, heating system, visor, post mounting adapter</p>	<p>Input devices, sight window in the cover, heating system, visor, post mounting adapter</p>
<p>2,1</p>	<p>14,9</p>	<p>19,0</p>
<p>10</p>	<p>10</p>	<p>10</p>
<p>5</p>	<p>5</p>	<p>5</p>